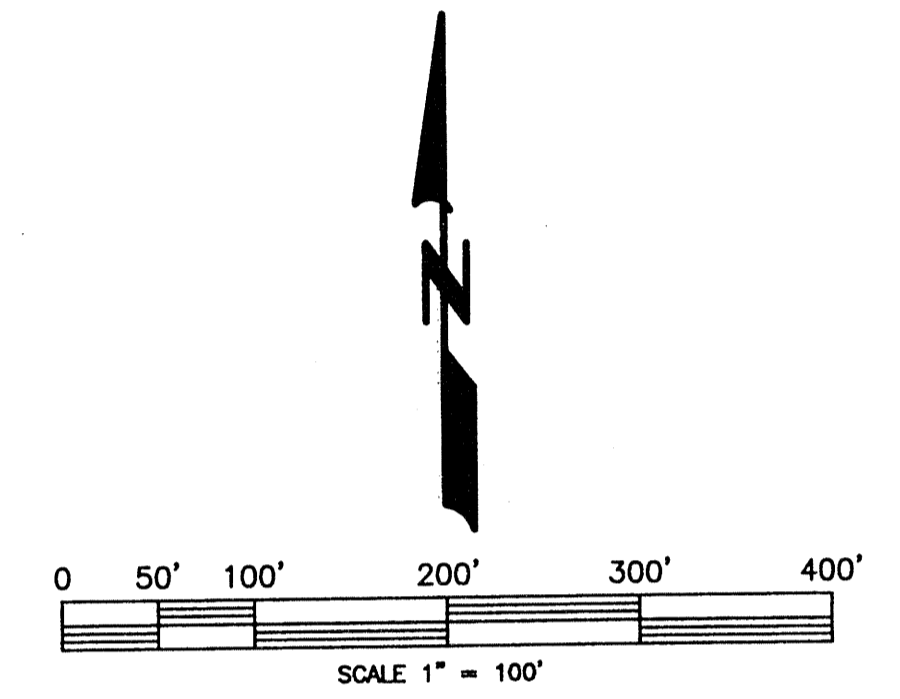
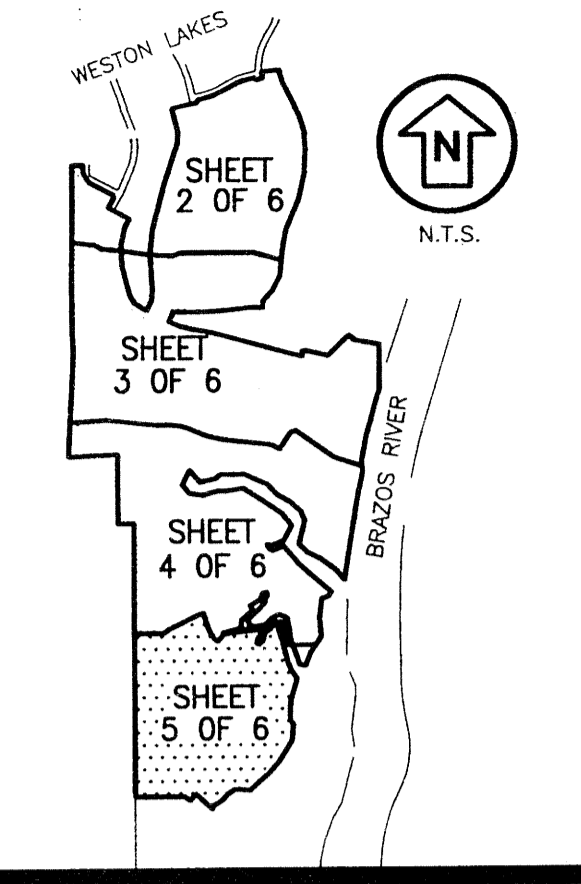


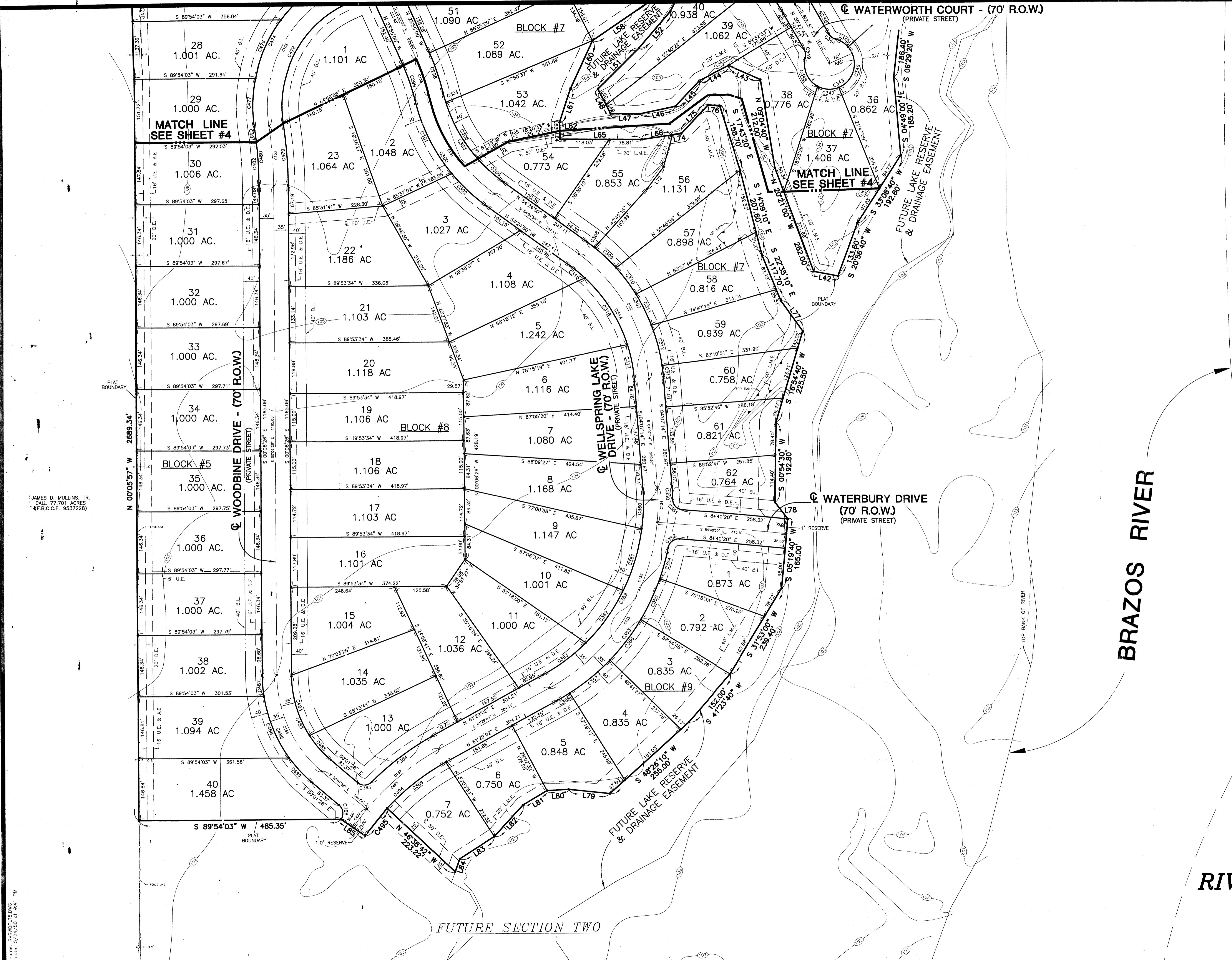
RIVERWOOD FOREST
AT WESTON LAKES
SECTION ONE
SHEET LAYOUT SUMMARY



- LEGEND:
- B.L. - DENOTES BUILDING LINE
 - U.E. - DENOTES UTILITY EASEMENT
 - A.E. - DENOTES AERIAL EASEMENT
 - D.E. - DENOTES DRAINAGE EASEMENT
 - M.E. - DENOTES MAINTENANCE EASEMENT
 - L.M.E. - DENOTES LAKE MAINTENANCE EASEMENT
 - S.S.E. - DENOTES SANITARY SEWER EASEMENT
 - STM.S.E. - DENOTES STORM SEWER EASEMENT
 - R.O.W. - DENOTES RIGHT-OF-WAY
 - AC. - DENOTES ACRES
 - RAD. - DENOTES RADIUS
- LINE AND CURVE TABLE (SEE SHEET 6 OF 6)

RIVERWOOD FOREST
AT WESTON LAKES
SECTION ONE
MAY 17, 2000
SHEET 5 OF 6

2000046224
FILED 1st RECORD
TIME 3:36 AM
JUN 6 2000
Diana Robinson
County Clerk Fort Bend Co. Texas
2003A



JAMES D. MULLINS, TR.
CALL 77.701 ACRES
4-F.B.C.C.F. 9537228

PRINTED AT 5/24/00 AT 2:41 PM